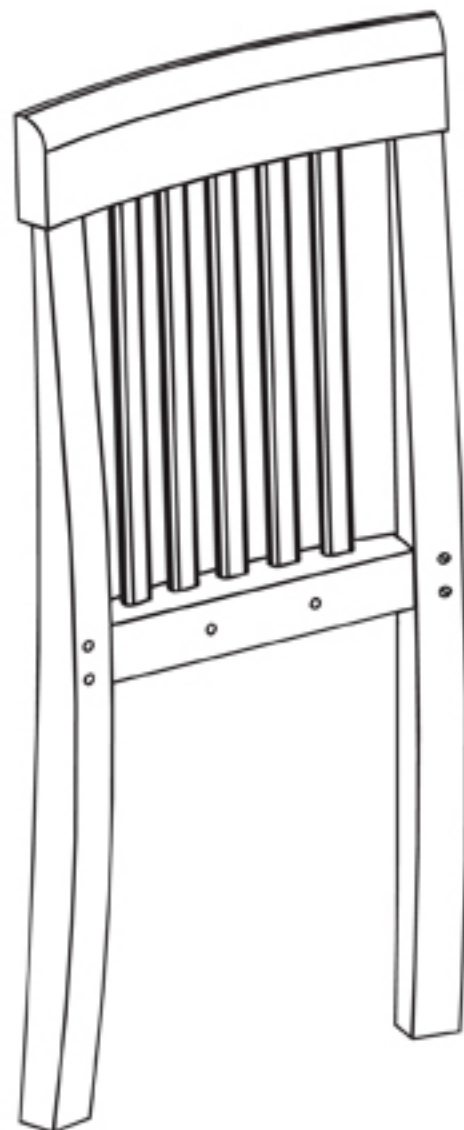


# Avalon Chair

## Parts List

Item# 16600-16621



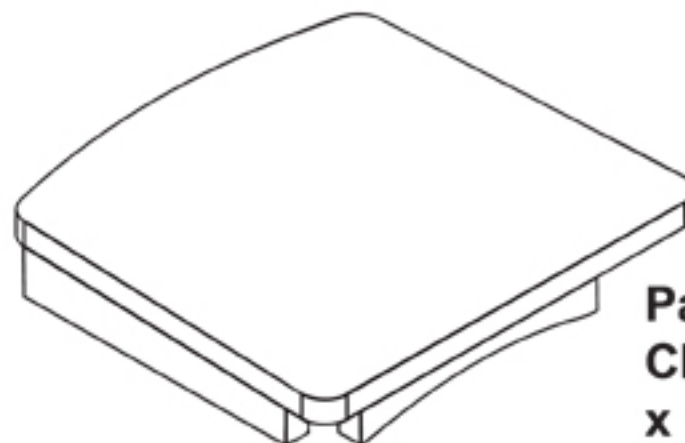
**Part 1:**  
**Chair Back**  
x 1 pc



**Part 2:**  
**Chair Leg**  
x 1 pc



**Part 3:**  
**Chair Leg**  
x 1 pc



**Part 4:**  
**Chair Seat**  
x 1 pc

# Avalon Chair

## Assembly Instructions

Item# 16600-16621

### HARDWARE

A. Flat Washer

x 8 pcs



B. Lock Washer

x 8 pcs



C. Short Hex Bolt

6 x 40 mm,  
x 8 pcs



D. Long Hex Bolt

6 x 75 mm,  
x 2 pcs

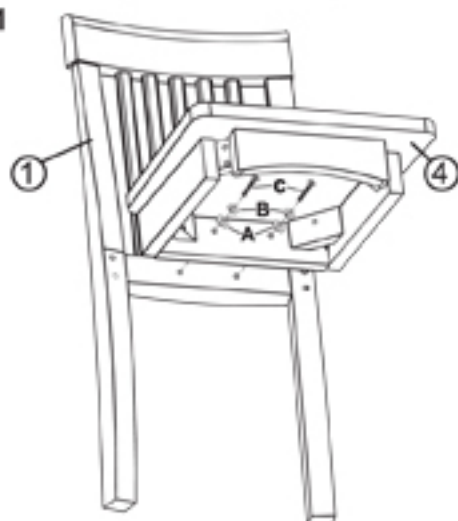


Allen Wrench

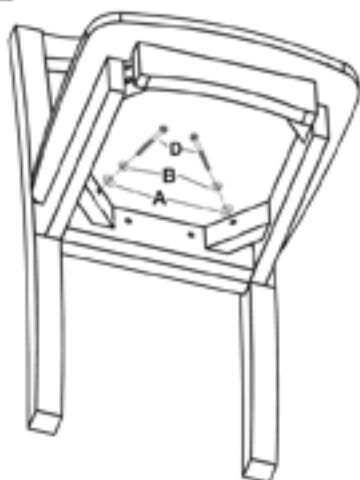
x 1 pc



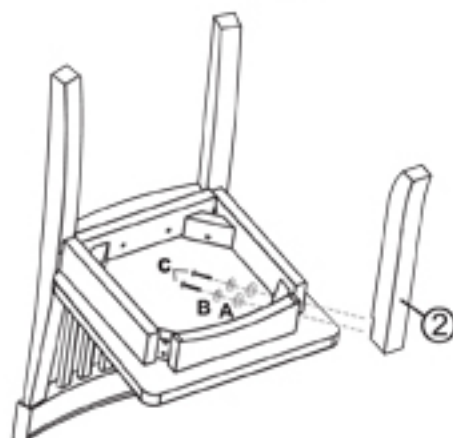
### Step 1



### Step 2



### Step 3



### Complete



### Step 4



**CAUTION:** Adult assembly required.  
Hardware contains small screws with sharp points. Keep unassembled parts out of the reach of small children.

#### USE AND MAINTENANCE:

-Use on level surfaces only  
-Please check assembly at regular intervals, and periodically tighten hardware if necessary.  
If maintenance is not carried out the product could overturn or fall.



**WARNING: CHOKING HAZARD**  
Unassembled parts may be a choking hazard to children 3 years and younger.