

hayneedle



1.888.880.4884

Assembly Instructions

ITEM Number : LFY017-1 / LFY005-1 / LFY131-1 (Vanilla, Pecan, Espresso) .

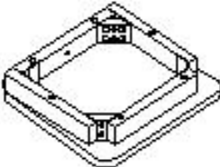



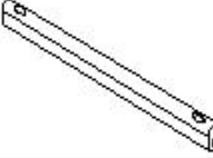
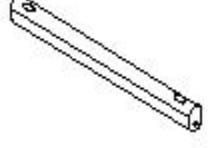
Product Name: Classic Playtime Set of 2 Chairs








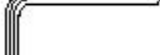
PRE-ASSEMBLY PREPARATION:

- Please check all contents of this package before attempting to assemble the product.
- A full checklist of components is provided. If any components are missing, please contact the retailer from whom you have purchased this product. Read the Assembly Instructions in full before you begin to assemble.
- The expected time required for assembly is about 20-30 minutes.
- Please use **CAUTION AND CARE WHEN LIFTING** the product to avoid personal injury and (or) damage to the product.
- For ease of assembly, two people are recommended.
- The hardware packet contains **SMALL ITEMS** which should be **KEPT AWAY FROM CHILDREN**.

ADULT ASSEMBLY REQUIRED.

Panel and Fittings Identification:

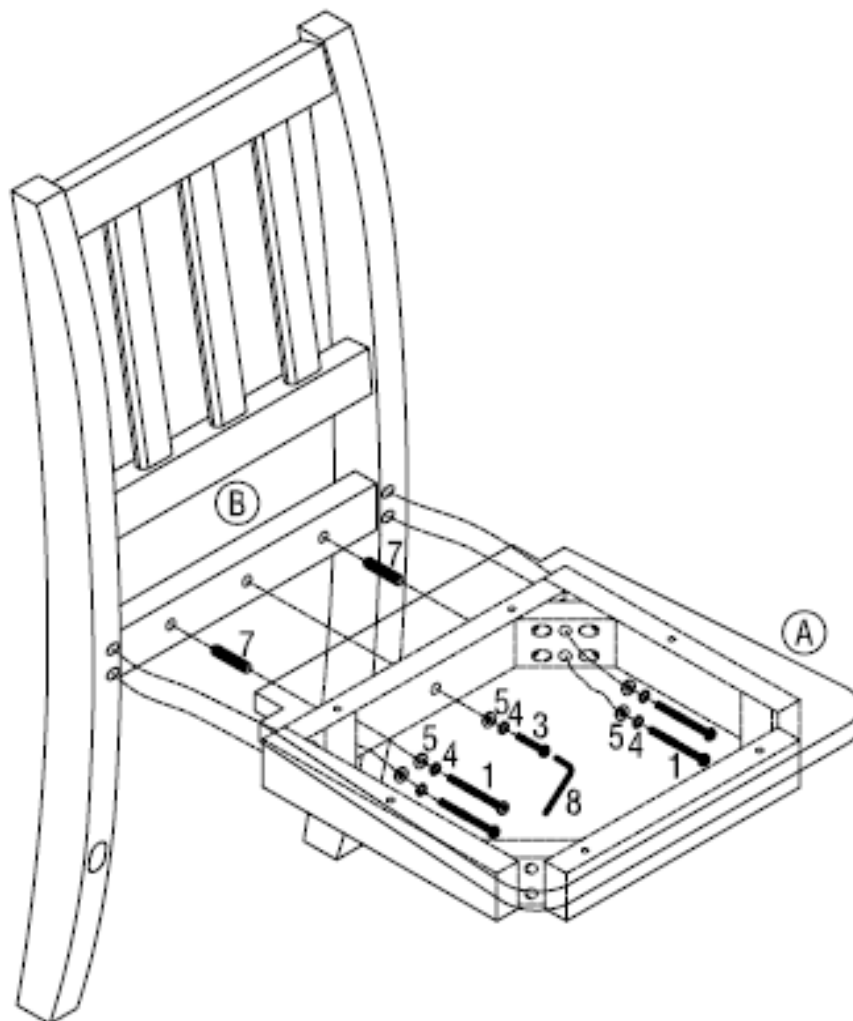
	PARTS	QTY
A		1PC
B		1PC
C		1PC
D		1PC
E		2PCS
F		1PC

	PARTS	QTY
1		4PCS
2		4PCS
3		1PC
4		9PCS
5		9PCS
6		6PCS
7		2PCS
8		1PC

Step By Step Assembly Instructions

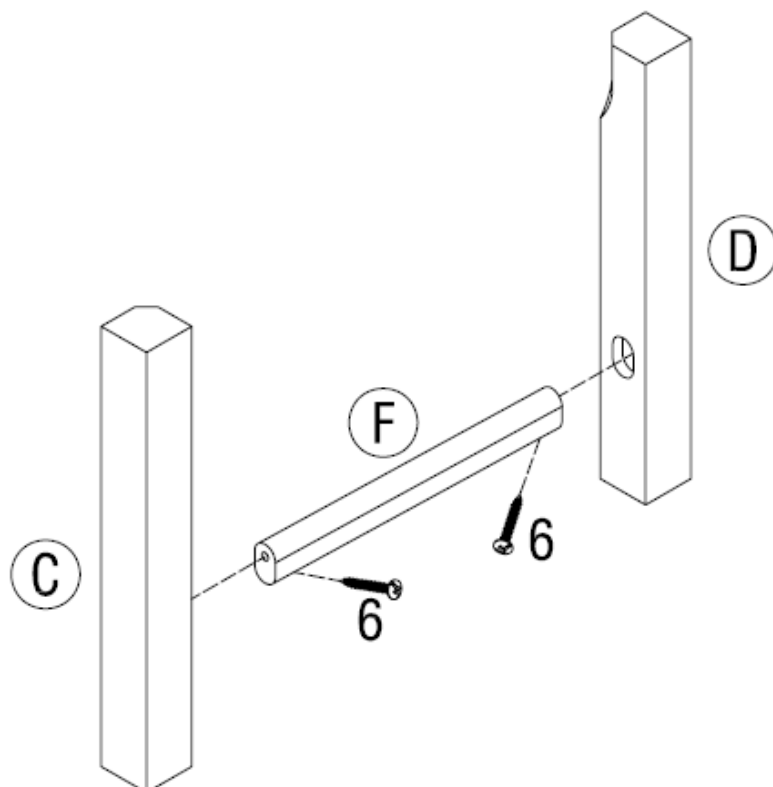
Step 1:

Pre-assemble Rear (B) with Dowel (7). Attach Sitting Panel (A) to Rear (B) with Bolt (1), Bolt (3) Spring Washer (4) and Flat Washer (5) from inside by Allen Wrench (8) as shown.



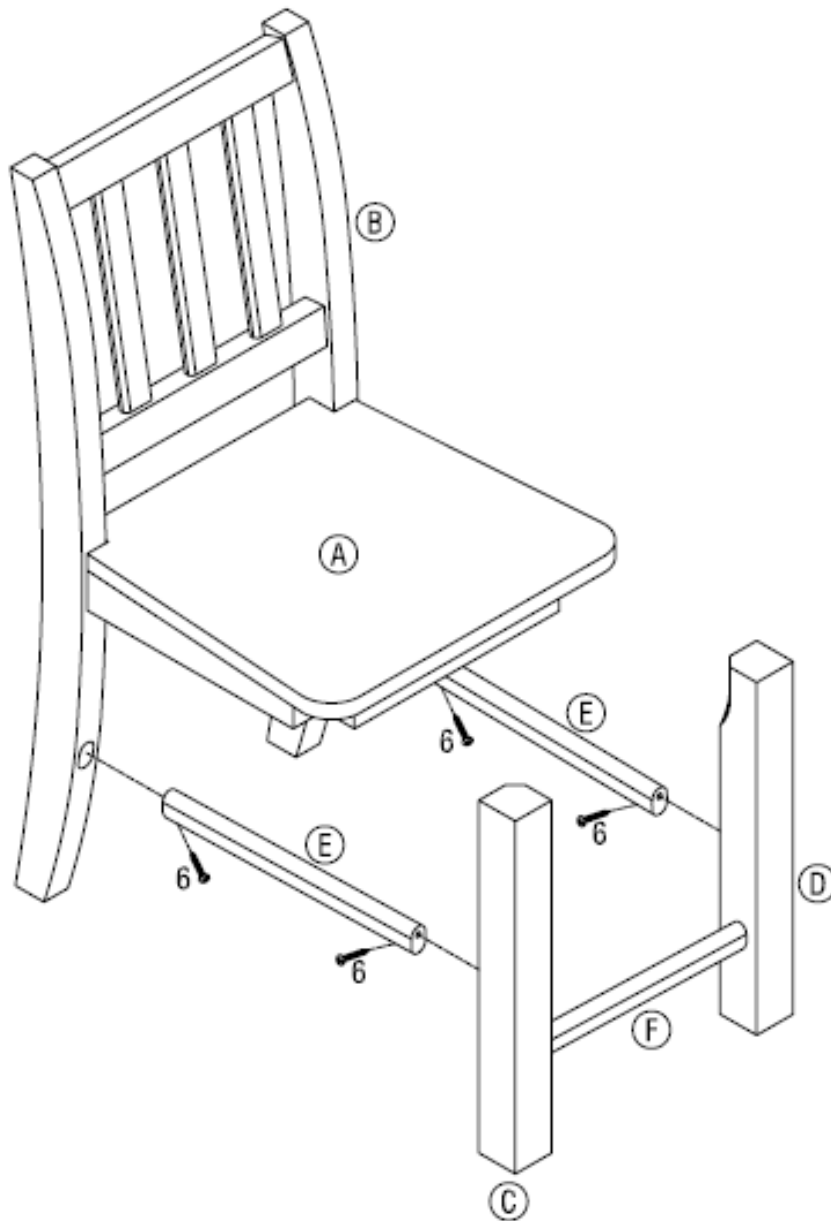
Step 2:

Attach Pole (F) to Leg (C/D) with Bolt (6) by a screwdriver.



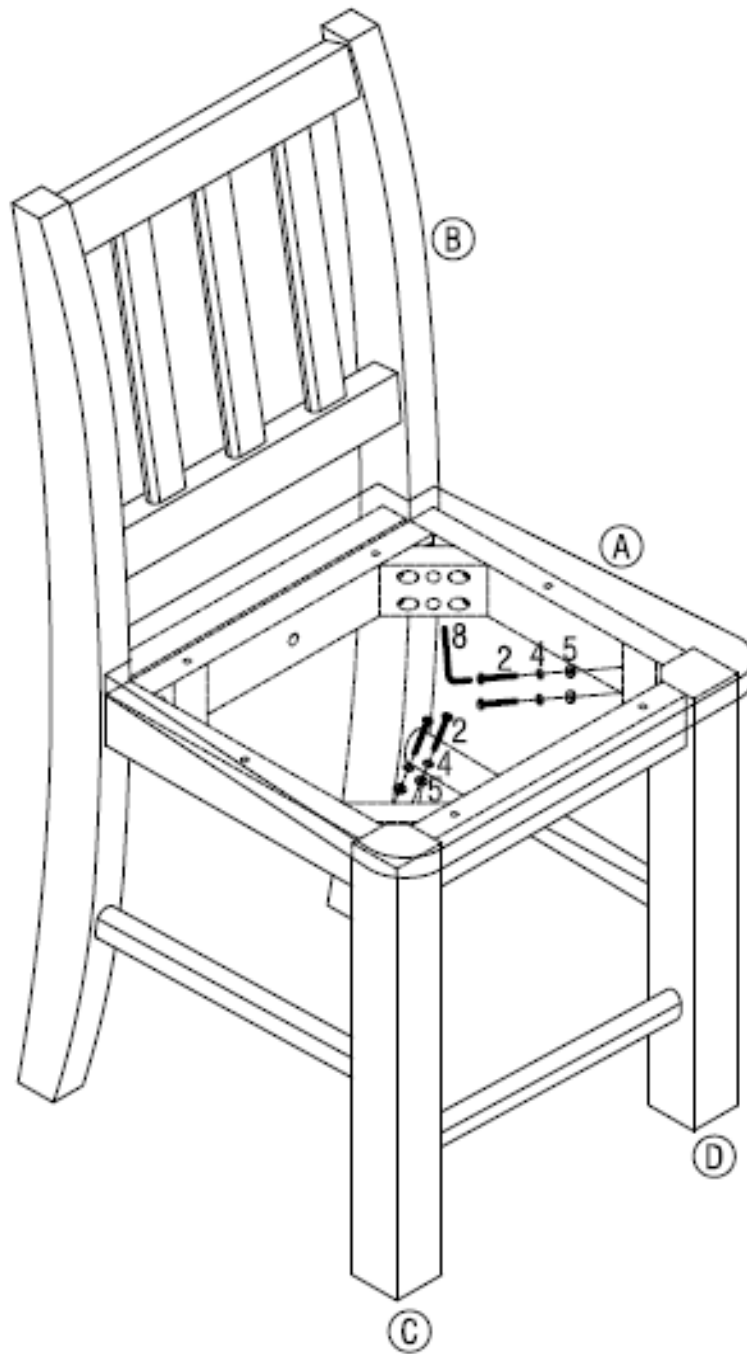
Step 3:

Attach Pole (E) to Rear (B) and Leg (C/D) with Bolt (6) by a screwdriver as shown.



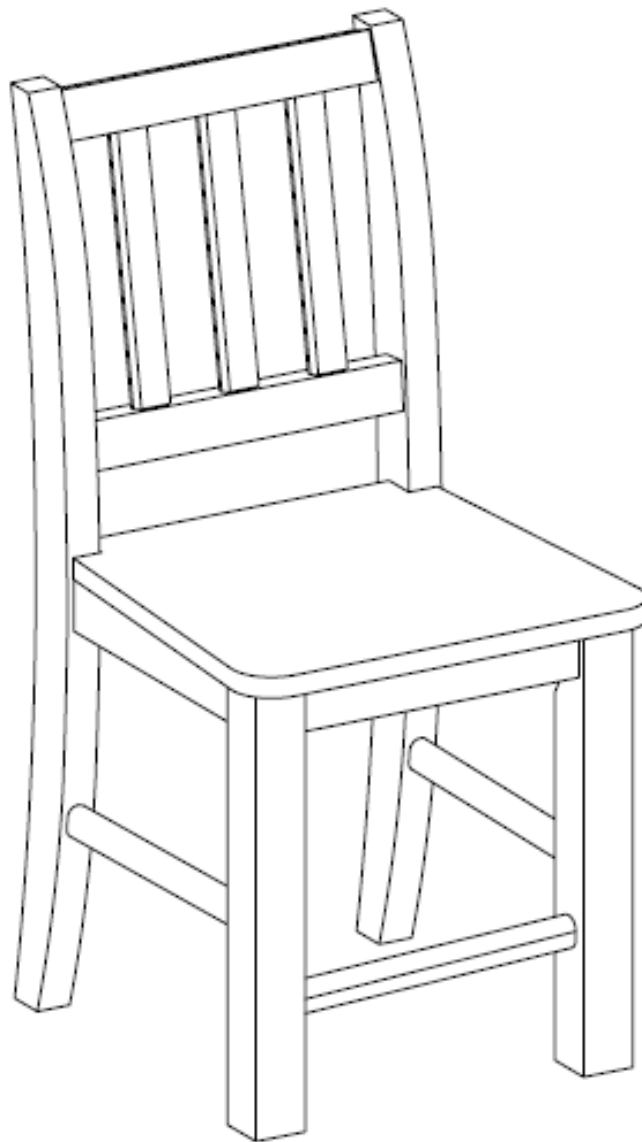
Step 4:

Attach Sitting Panel (A) to Leg (C/D) with Bolt (2), Spring Washer (4) and Flat Washer (5) from inside by Allen Wrench (8) as shown.



Step 5:

Your new Chair is ready to use now!



Thank you for your Purchase.